



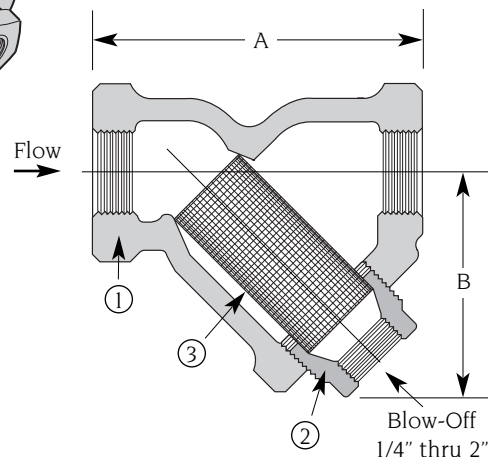
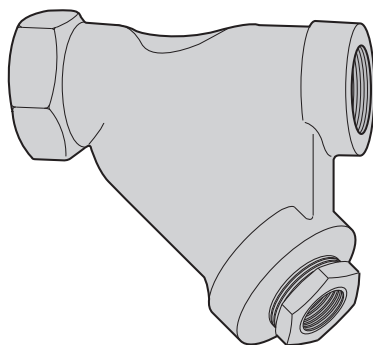
Cast Iron for Steam Service
1/2" through 3"

**WCIY Series
"Y" STRAINERS**

Install these hardworking strainers upstream in almost any application to protect traps, valves and regulators from rust, dirt and pipe scale. The WCIY Series is a rugged 250 lb. WSP-rated strainer constructed from high-tensile ASTM A-126 Class B cast iron with blow-off connections and easily removable cylindrical screens.

A tapered seat allows screens to be self-aligning and assures a perfect fit. Self-cleaning is easily accomplished by opening the valve or plug connected to the blow-off outlet. Blow-off connection is flanged on 2-1/2" and 3" sizes. Corrosion resistant stainless steel screens are standard.

- NPT Threaded Ends
- Working Pressure (Non-Shock)
250 psig @ 406°F. Steam
400 psig @ 150°F. Water, Oil Gas
- Self Cleaning
Accomplished by opening the blow-off connection
- Self Aligning Screens
Available in 304 SS (Standard)
- NPT Tapped Blow-Off Connection



Dimensional Data

Note: Dimensions shown are subject to change. Contact factory for certified prints (exact dimensions) when required.

Size	A	B	Blow-Off NPT	Weight/Lbs.	Screen Area In ²
1/2"	3-7/16	2-3/8	3/8	1-3/4	5.4
3/4"	4-3/8	3-3/8	3/8	2-1/2	9.4
1"	4-7/8	3-1/2	1/2	4-1/2	11.9
1-1/4"	5-3/8	4-1/8	3/4	6-1/2	16.2
1-1/2"	6-3/8	4-11/16	3/4	8-3/4	23.2
2"	7-1/2	5-7/16	1	12-1/2	35.0
2-1/2"	9	6-3/4	1-1/4	22-1/2	47.9
3"	10	7-7/8	1-1/4	35-1/4	64.8

Materials of Construction

No.	Part	Material	ASTM Spec	Remarks
1	Body	Cast Iron	A126	Cl. B
2	Plug	Cast Iron	A126	Cl. B
3	*Screen	Stainless Type		Type 304
4	*Gasket	Blue Guard 3000		2-1/2" thru 3" Only
5	Bolts	Carbon Steel	Grade 2	2-1/2" & 3" Only

* Recommended Spare Parts
** Screen shown is standard screen material.

***Standard Screens:**

Size	Screen Opening	Suffix
1/4" thru 2"	20 Mesh	A1
2-1/2" thru 3"	.045	L1

Watson McDaniel reserves the right to change the designs and/or materials of its products without notice



WATSON McDANIEL COMPANY

975 Madison Ave. Valley Forge Corporate Center Norristown, PA 19403
www.watsonmcdaniel.com 610 666-5711 Fax 610 666-0404

Manufacturers of:

**PRESSURE & TEMPERATURE REGULATORS - RELIEF VALVES - STEAM TRAPS - CLEAN STEAM PRODUCTS
LIQUID DRAINERS - PRESSURE PUMPS - EJECTORS - SPECIALTY PRODUCTS**



SP-510

(1/01)