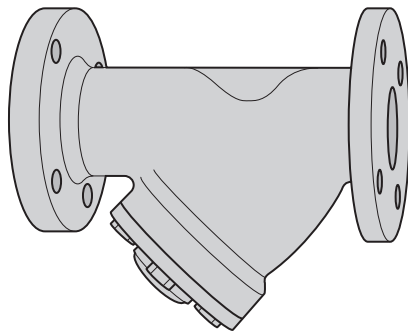




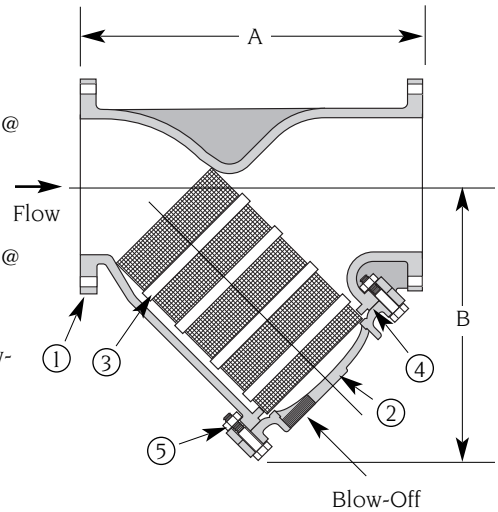
Flanged Cast Iron for Steam Service
Class 125 & 250

WCIY Series
"Y" STRAINERS

Install these hardworking flanged strainers upstream in almost any application to protect traps, valves and regulators from rust, dirt and pipe scale. The WCIY Series is a rugged 125 or 250 lb. WSP-rated strainer constructed from high-tensile ASTM A-126 Class B cast iron with blow-off connections and easily removable cylindrical screens.



- Working Pressure (Non-Shock)
Model F1 - Class 125
Sizes 2" - 4"
125 psig @ 450°F. Steam • 200 psig @ 150°F. Water, Oil, Gas
Model F2 - Class 250
Sizes 2" - 4"
250 psig @ 450°F. Steam • 500 psig @ 150°F. Water, Oil, Gas
- Self Cleaning
Accomplished by opening the blow-off connection.
- Self Aligning Screens
Available in 304SS (Standard).
- NPT Tapped Blow-Off Connection



Materials of Construction

No.	Part	Material	ASTM Spec	Remarks
1	Body	Cast Iron	A126	CI.B
2	Plug	Cast Iron	A126	CI.B
3	*Screen	Stainless Steel		Type 304
4	*Gasket	Blue Guard 3000		
5	Bolting	Carbon Steel		Grade 2

* Recommended Spare Parts

Standard Screens:

Service	Steam
Size	2" - 4"
Screen Openings045
Screen Suffix	L1
Material	304 Stainless Steel

Dimensional Data

Note: Dimensions Shown are subject to change. Contact factory for certified prints (exact dimensions) when required.

Size Flanged	A		B		Size Flanged	Weight Lbs.		Screen Area
	Class 125 Flanged	Class 250 Flanged	Class 125 Flanged	Class 250 Plug		Class 125 Flanged	Class 250 In ²	
2"	9-1/2"	11-5/8"	6-1/2"	6-1/8"	1	24	28	34.5
2-1/2"	10-1/2"	13	7	6-3/4"	1-1/4"	33	38	47.3
3"	12	14	8	8	1-1/4"	44	54	64.8
4"	14-7/8	17-1/16	10-3/4	10-3/4	1-1/4"	85	110	127.2

Watson McDaniel reserves the right to change the designs and/or materials of its products without notice



WATSON McDANIEL COMPANY

975 Madison Ave. Valley Forge Corporate Center Norristown, PA 19403
www.watsonmcdaniel.com 610 666-5711 Fax 610 666-0404

Manufacturers of:

PRESSURE & TEMPERATURE REGULATORS - RELIEF VALVES - STEAM TRAPS - CLEAN STEAM PRODUCTS
LIQUID DRAINERS - PRESSURE PUMPS - EJECTORS - SPECIALTY PRODUCTS



SP-511

(1/01)