

# SERIES AV813W

## AIR ELIMINATOR

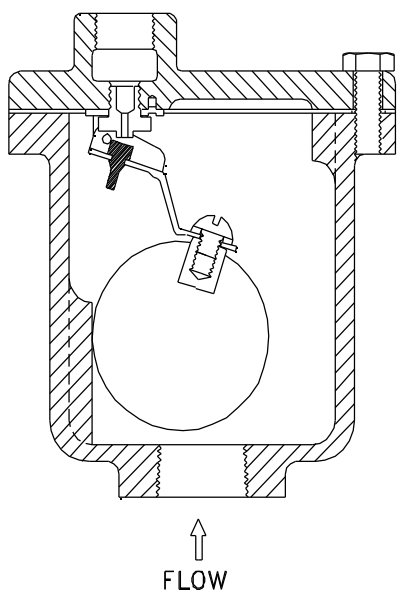
### INSTALLATION INSTRUCTIONS

INSTRUCTION PART NO. 2219600

REVISION 1

## INSTALLATION

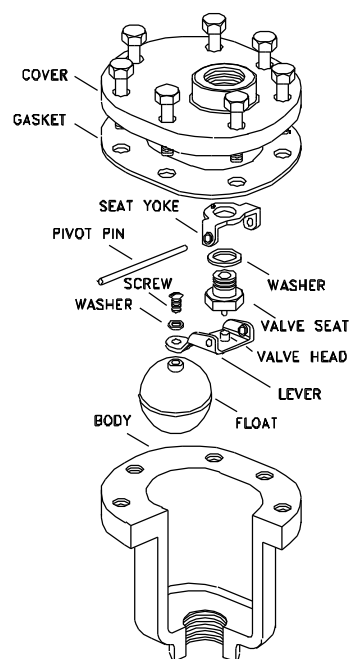
1. The Air Eliminator should be mounted vertically at the highest point of the piping system or equipment where air collects. The outlet should be piped to a safe place.
2. Before installing the air eliminator, blow out piping thoroughly to remove loose scale and dirt. Use pipe dope or Teflon tape sparingly when attaching the air eliminator to the pipe. Observe the pressure limitations shown on the label.
3. Discharge piping should be amply sized to avoid excessive back pressures.



## HOW TO ORDER SPARE PARTS

Specify the description of the part. Indicate model number.

Example: (1) Cover gasket for a AV 813W Air Eliminator.



## MAXIMUM OPERATING CONDITIONS

PMO	150 PSIG	PMA	150 PSIG up to 350°F
TMO	300°F	TMA	353°F @ 150 PSIG

## MAINTENANCE

1. Relieve all pressure from AV 813W before attempting repair.
2. Remove cover and check to see if valve seat is clogged. Clean with small diameter wire if necessary.
3. Check for worn valve head or damaged float. Replace as necessary.
4. Replace the cover gasket each time the cover is reassembled to body.
5. Make sure the seat and cover bolts are properly tightened when reassembling.

Each Watson McDaniel Company Product is warranted against defects in material and workmanship for one year from date of shipment. This warranty extends to the first retail purchaser only. All defective material must be returned to the person from whom you purchased the Product, transportation prepaid, free of any liens or encumbrances, and if found to be defective will be repaired free of charge or replaced, at the warrantor's or seller's option. If the material is replaced, any replacement will be invoiced in the usual manner and after inspection of alleged defective material an adjustment will be made for depreciation caused by purchaser's use. In no event will Watson McDaniel Company be liable to do more than refund the original contract price. Incidental and consequential damages are excluded, whether under this warranty or otherwise. All implied warranties, including warranties of merchantability and fitness for a particular purpose, are disclaimed and excluded.

