

SERIES AE1800 & AE1800R

AIR ELIMINATOR

INSTALLATION INSTRUCTIONS

INSTRUCTION PART NO. 2219700

REVISION 4

HOW IT WORKS

The Air Eliminator relies on the weight of the float and lever assembly to automatically pull the stainless steel ball valve off the seat, allowing the air to escape from the system. When the liquid level rises, the buoyant force created by the float actuates the lever mechanism to the closed position, preventing the loss of any liquid to atmosphere.

INSTALLATION

1. The Air Eliminator should be mounted vertically at the highest point of the piping system or equipment where air collects.
2. Before installing the air eliminator, blow out piping thoroughly to remove loose scale and dirt. Use pipe dope or Teflon tape sparingly when attaching the air eliminator to the pipe. Observe the pressure limitations shown on the air eliminator label.
3. Discharge piping should be amply sized to avoid excessive back pressures.

MAINTENANCE

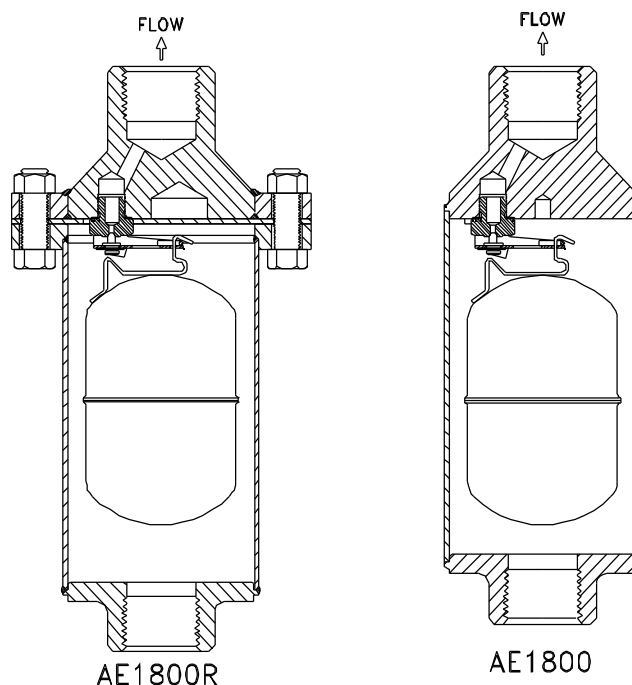
1. Isolate air eliminator from pressure before attempting repair.
2. Remove from line and clean out seat with small diameter wire if it appears to be clogged.
3. The AE 1800R can be disassembled for inspecting seat and float for wear or damage. Replace as necessary.
4. Replace the gasket each time the end fitting is mounted onto the housing.
5. Make sure the seat and flange bolts are properly tightened when reassembling.

ORDERING SPARE PARTS

Specify the description of the part. Indicate the Size and Model Number which are shown on the name plate.

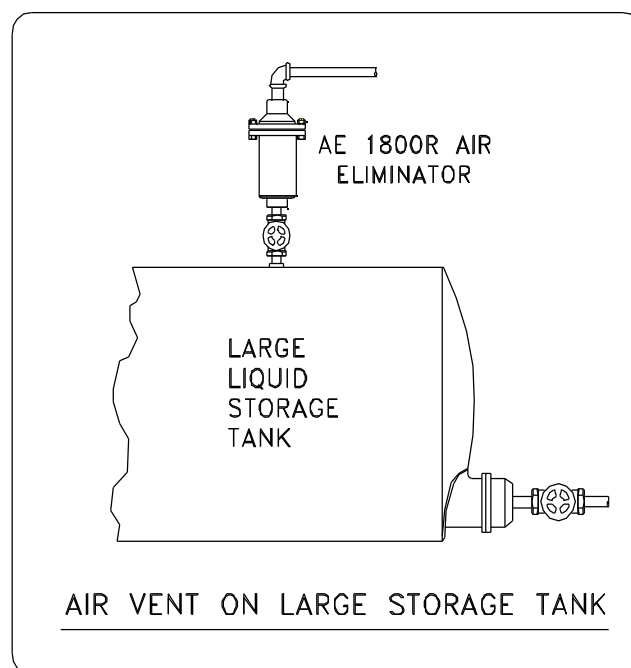
Typical Specification: Lever & Valve Assembly for 3/4" x 1/2" AE 1801R Air Eliminator.

Each Watson McDaniel Company Product is warranted against defects in material and workmanship for one year from date of shipment. This warranty extends to the first retail purchaser only. All defective material must be returned to the person from whom you purchased the Product, transportation prepaid, free of any liens or encumbrances, and if found to be defective will be repaired free of charge or replaced, at the warrantor's or seller's option. If the material is replaced, any replacement will be invoiced in the usual manner and after inspection of alleged defective material an adjustment will be made for depreciation caused by purchaser's use. In no event will Watson McDaniel Company be liable to do more than refund the original contract price. Incidental and consequential damages are excluded, whether under this warranty or otherwise. All implied warranties, including warranties of merchantability and fitness for a particular purpose, are disclaimed and excluded.



MAXIMUM OPERATING CONDITIONS

PMO	400 PSIG	PMA	400 PSIG up to 500°F
TMO	500°F	TMA	500°F @ 400 PSIG



AE 1800R ASSEMBLY

