

# SERIES WSTTV

## STEAM TRAP TEST STATION

### INSTALLATION INSTRUCTIONS

INSTRUCTION PART NO.2224601 REVISION 2

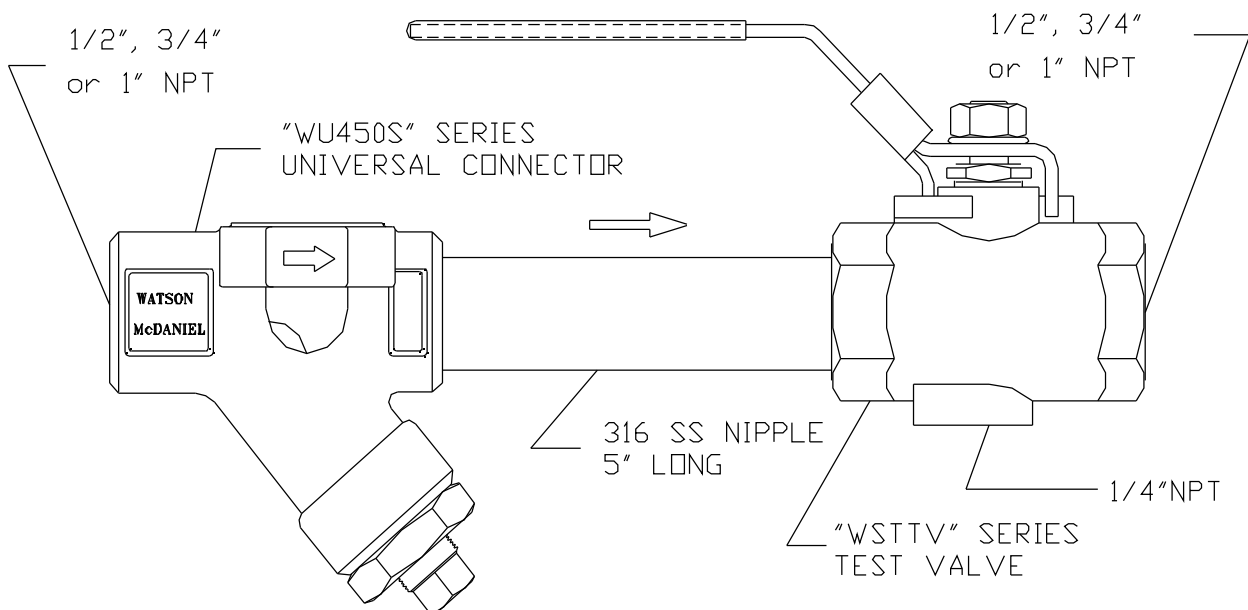
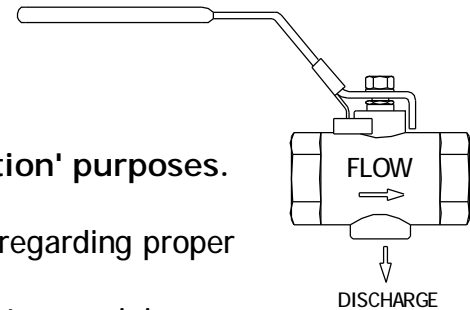
## WSTTV SERIES STEAM TRAP TEST VALVE

### Installation and Maintenance

Steam Trap Test Valves **NOT** for 'Throttling' or 'Isolation' purposes.

#### 1. Installation

- Read, then remove tag from handle with information regarding proper piping of the TEST PORT.
- Apply thread sealant/lubricant for bubble-tight seal between piping and valve threads.
- Install WSTTV downstream of steam trap with the 'TRAP SIDE' designation closest to the steam trap.
- Hand-engage piping to each side of valve, and hand-tighten.
- Tighten piping into valve thread using reasonable torque to seal-DO NOT OVER-TORQUE.
- IMPORTANT NOTE: NPT TEST PORT should be piped to ensure that discharge is adequately directed away from personnel as, when utilized, contents of discharge may contain EXTREMELY HOT CONDENSATE and/or LIVE STEAM !!!**



Each Watson McDaniel Company Product is warranted against defects in material and workmanship for one year from date of shipment. This warranty extends to the first retail purchaser only. All defective material must be returned to the person from whom you purchased the Product, transportation prepaid, free of any liens or encumbrances, and if found to be defective will be repaired free of charge or replaced, at the warrantor's or seller's option. If the material is replaced, any replacement will be invoiced in the usual manner and after inspection of alleged defective material an adjustment will be made for depreciation caused by purchaser's use. In no event will Watson McDaniel Company be liable to do more than refund the original contract price. Incidental and consequential damages are excluded, whether under this warranty or otherwise. All implied warranties, including warranties of merchantability and fitness for a particular purpose, are disclaimed and excluded.