

SERIES FDA400

THERMOSTATIC SANITARY TRAP

INSTALLATION INSTRUCTIONS

INSTRUCTION PART NO. 2225500 REVISION 1

TYPICAL APPLICATIONS

Clean steam for powering sterilizers and autoclaves.

Culinary steam for direct cooking and heating of foods.

Clean steam for humidification of clean rooms.

Pure steam for sterilization of equipment in the biotechnology and pharmaceutical industries.

INSTALLATION

Observe pressure limitations shown on trap label.

To provide for easy maintenance and service, install an isolation valve ahead of the trap.

All valves should be full ported to achieve the rated capacity of the trap.

Install trap below the equipment being drained in a location easily accessible for maintenance and inspection. Be certain the flow arrow on the trap points in the proper direction.

After clamping trap into system, flush system thoroughly to eliminate any contamination.

Discharge piping should be amply sized to avoid excess back pressure.

A dirt leg with a trap station is recommended at every change of elevation. There should be no undrainable pockets.

It is recommended no other steam service be interconnected with a Clean Steam service.

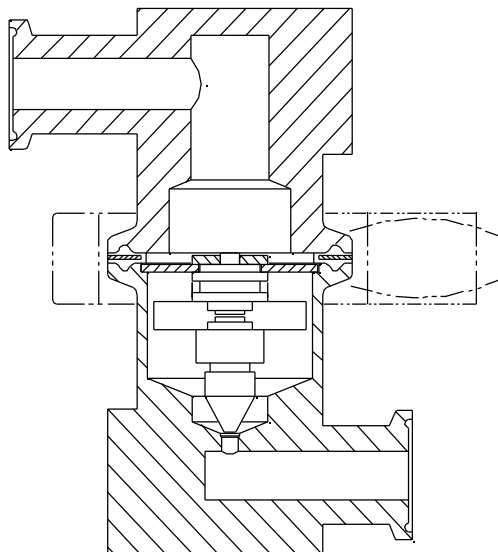
MAINTENANCE

Isolate trap from both supply and return line pressures.

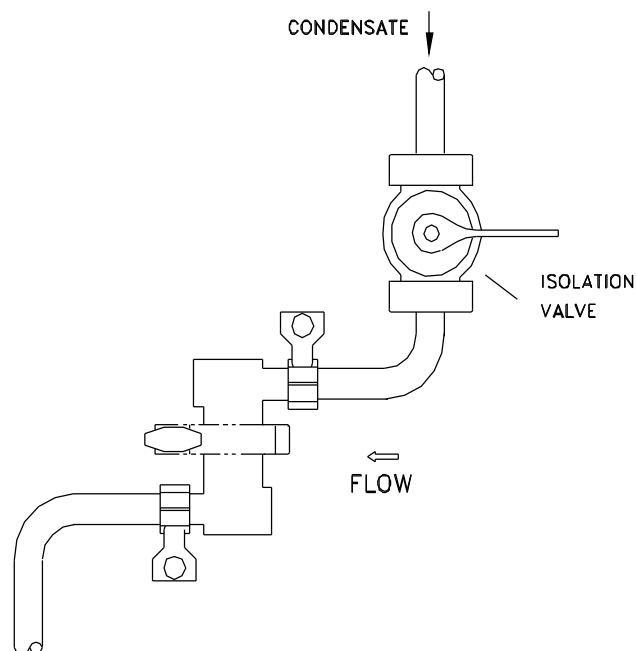
Wait until trap is cool enough to be safely handled.

Remove trap from the line.

See reverse side of instruction for ordering replacement parts.

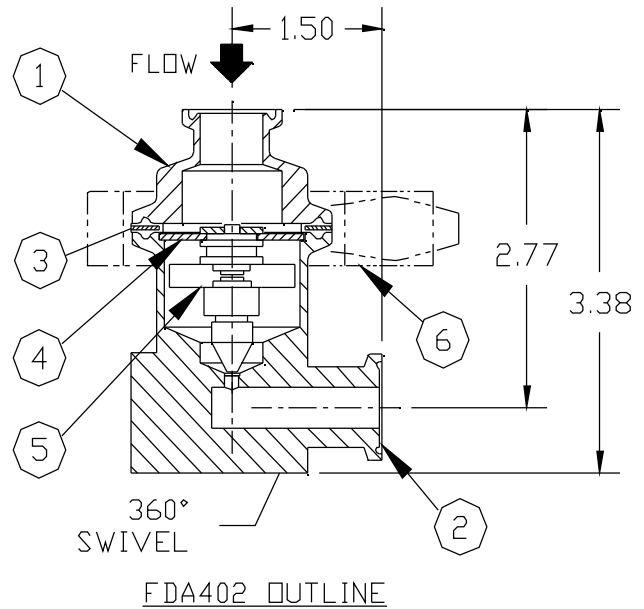
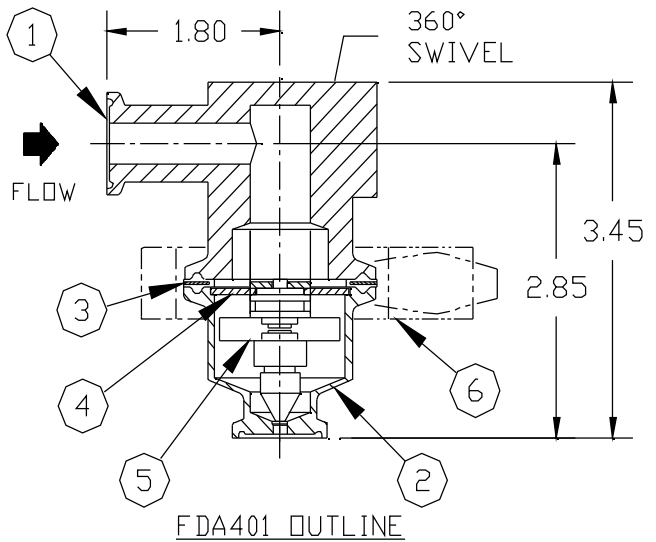
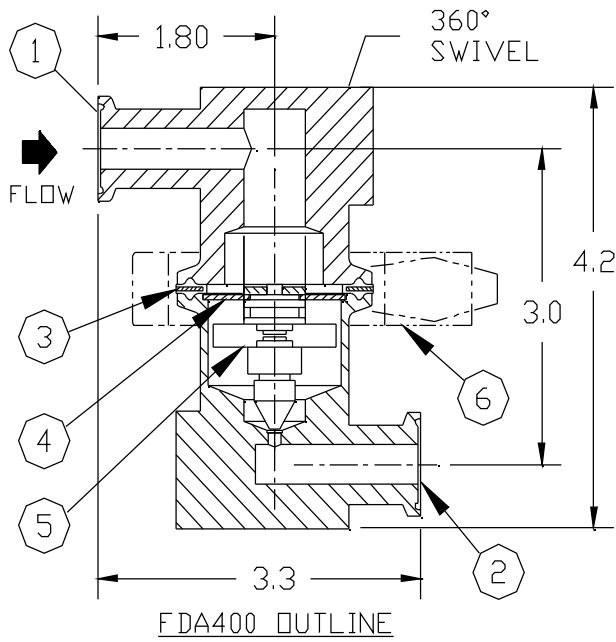


FDA400 OUTLINE



INSTALLATION

Each Watson McDaniel Company Product is warranted against defects in material and workmanship for one year from date of shipment. This warranty extends to the first retail purchaser only. All defective material must be returned to the person from whom you purchased the Product, transportation prepaid, free of any liens or encumbrances, and if found to be defective will be repaired free of charge or replaced, at the warrantor's or seller's option. If the material is replaced, any replacement will be invoiced in the usual manner and after inspection of alleged defective material an adjustment will be made for depreciation caused by purchaser's use. In no event will Watson McDaniel Company be liable to do more than refund the original contract price. Incidental and consequential damages are excluded, whether under this warranty or otherwise. All implied warranties, including warranties of merchantability and fitness for a particular purpose, are disclaimed and excluded.



MODEL	FDA401	FDA402	FDA403
PMO	90 PSIG		
SIZES	1/2" & 3/4"		
CONNECTIONS	TRI-CLAMP		
CONSTRUCTION	ST. STL.		

APPROX. WEIGHT: 2.5 LBS

LIMITING OPERATING CONDITIONS

PMO 90 psig
 TMO Sat. Steam Temp.

PRESSURE SHELL DESIGN

PMA 145 psig up to 338°F
 TMA 350°F @ 132 psig

ORDERING SPARE PARTS

Specify the description of the part. Indicate the Model Number and Size which are shown on name plate.

Typical Specification: Thermal Element for 1/2" FDA 400 Clean Steam Trap with clamp ends.

CONSTRUCTION MATERIAL		
ITEM	PART	MATERIAL
1	BODY, INLET	316L S.S.
2	BODY, OUTLET	316L S.S.
3	GASKET	VITON/TEFLON
4	ELEMENT PLATE	316L S.S.
5	THERMAL ELEMENT	316L S.S.
6	CLAMP	316L S.S.