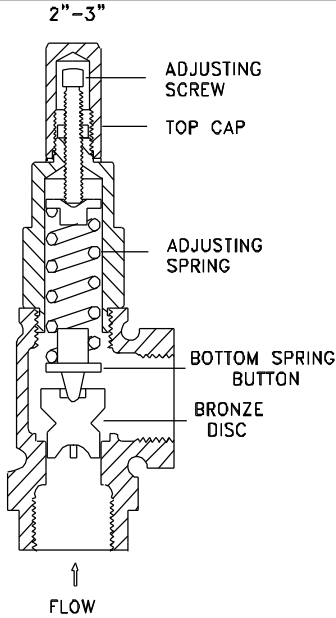
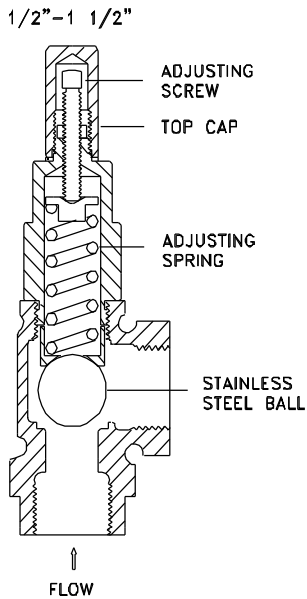


SERIES R
 RELIEF VALVE
 INSTALLATION & OPERATING
 INSTRUCTIONS

INSTRUCTION PART NO. 2228600 REVISION 0



APPLICATION

The Watson McDaniel Series R is a relatively low-cost relief valve that is widely used on original equipment and as a replacement relief valve. CAUTION: The Series R should not be used as an emergency or safety relief valve.

They can be found in the following applications:

- **Water Pump Bypass**
 Irrigation
 Sprinkler Systems on Golf Courses
 Fountains
 Fire Protection Systems
- **Fuel Oil Pumps**
 Bypass on Commercial Systems or Large Residential Systems

INSTALLATION & OPERATION

Before installing relief valve, blow out pipe line to remove dirt, pipe scale and sediment. The Series R valve should be installed in an upright, vertical position (inlet to bottom). To adjust 'set pressure' of valve remove top cap, loosen brass lock nut and adjust pressure by turning steel set screw. Turn screw clockwise to increase the compression on the spring and increase the set pressure within the limits of the spring range. Reversing the set screw lowers the 'set pressure'. Tighten the lock nut and replace top cap and gasket when desired set pressure is reached.

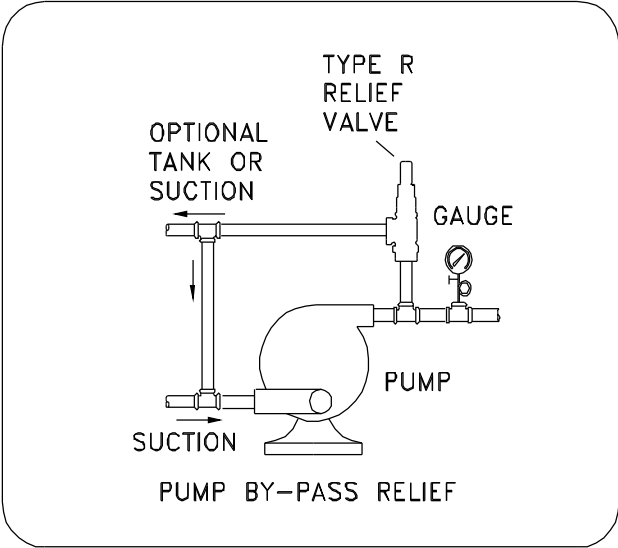
MAXIMUM OPERATING PRESSURE AND TEMPERATURE
 300 PSIG @ 180°F

Each Watson McDaniel Company Product is warranted against defects in material and workmanship for one year from date of shipment. This warranty extends to the first retail purchaser only. All defective material must be returned to the person from whom you purchased the Product, transportation prepaid, free of any liens or encumbrances, and if found to be defective will be repaired free of charge or replaced, at the warrantor's or seller's option. If the material is replaced, any replacement will be invoiced in the usual manner and after inspection of alleged defective material an adjustment will be made for depreciation caused by purchaser's use. In no event will Watson McDaniel Company be liable to do more than refund the original contract price. Incidental and consequential damages are excluded, whether under this warranty or otherwise. All implied warranties, including warranties of merchantability and fitness for a particular purpose, are disclaimed and excluded.

SERIES 'R' RELIEF PRESSURE SPRING RANGES

Psig

1 to 6	4/black (1/2"-1 1/2")
5 to 353/silver
25 to 1002/blue
75 to 3001/red



TYPE 'R' TYPICAL INSTALLATION