



428 Jones Boulevard Phone: (610) 495-5131
 Limerick Airport Business Center Fax: (610) 495-5134
 Pottstown, PA 19464 www.watsonmcdaniel.com

SERIES WT2000C

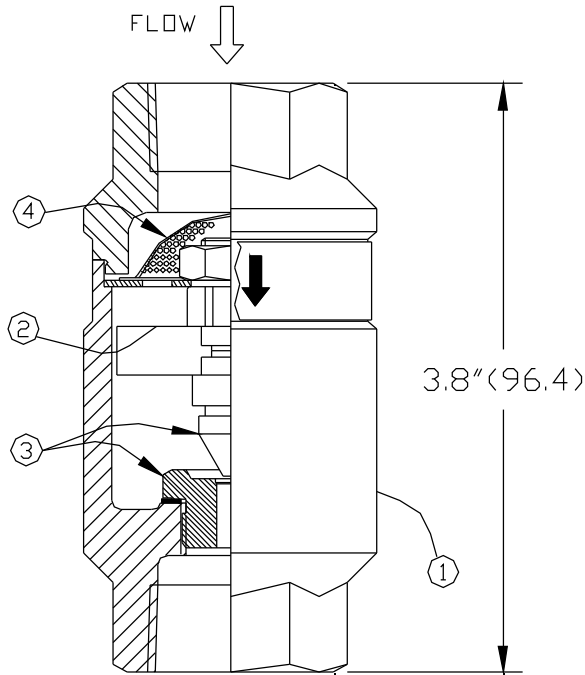
THERMODYNAMIC STEAM TRAP

INSTALLATION INSTRUCTIONS

INSTRUCTION PART NO.2259100 REV. 2

INSTALLATION

1. Before installing the trap, blow out piping thoroughly to remove loose scale and dirt. Use pipe dope or teflon tape sparingly when attaching the trap to the pipe. Observe the pressure limitation shown on the trap label.
2. Install the trap below the equipment being drained in a location easily accessible for maintenance and inspection. Be certain that the flow arrow on the trap points in the proper direction.
3. Install a dirt pocket to keep dirt away from the trap.
4. Discharge piping should be amply sized to avoid excessive back pressures.
5. To provide for easy maintenance and service, install a block valve on each side of the trap and install a strainer ahead of the inlet connection.
6. All valves should be full ported to achieve the rated capacity of the trap.
7. If the discharge piping is to be elevated, be certain that the available differential pressure is adequate to permit proper drainage. Remember, two feet of lift equals approximately one psig.

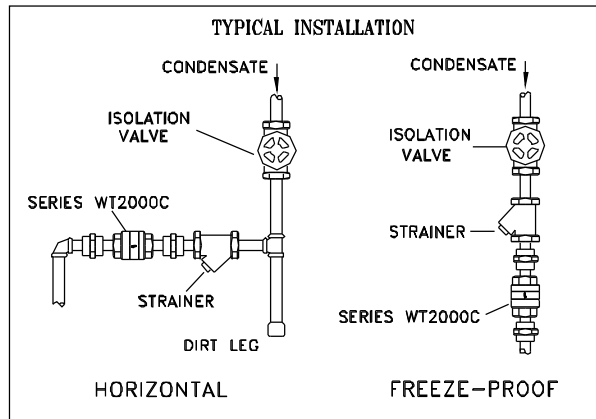


MATERIALS

1. Body Stainless Steel, ASTM A351-CF3
2. Thermal Element Stainless Steel
3. Valve & Seat ... Stainless Steel, AISI 416
4. Strainer Screen Stainless Steel

MAX. OPERATING CONDITIONS

PMO 650 PSIG
 TMO Sat. Steam Temp.
 PMA 1032 PSIG @ 100°F
 TMA 750°F @ 800 PSIG



TROUBLE SHOOTING

PROBLEM	CAUSE	ACTION
1) Trap does not discharge.	a) Isolation valve closed. b) Strainer or trap is blocked.	a) Open valve. b) Check units and clean.
2) Trap does not close.	a) Dirt lodged on seat area. b) Damaged thermostat.	a) Clean trap (with compressed air) or replace & install strainer if none exists. b) Replace trap.