

# SERIES WT2500

## THERMOSTATIC STEAM TRAP

### INSTALLATION INSTRUCTIONS

INSTRUCTION PART NO. 2260100

REVISION 2

## INSTALLATION

- Before installing the trap, blow out piping thoroughly to remove loose scale and dirt. Use pipe dope or teflon tape sparingly when attaching the trap to the pipe.
- Install the trap below the equipment being drained in a location easily accessible for maintenance and inspection. Be certain that the flow arrow on the trap points in the proper direction.
- Install a drip pocket to keep dirt away from the trap.
- Discharge piping should be amply sized to avoid excessive back pressures.
- To provide for easy maintenance and service, install a block valve on each side of the trap and install a strainer ahead of the inlet connection.
- All valves should be full ported to achieve the rated capacity of the trap.
- If discharge piping is to be elevated, be certain that the available differential pressure is adequate to permit proper drainage. Remember, two feet of lift equals approximately one psig.

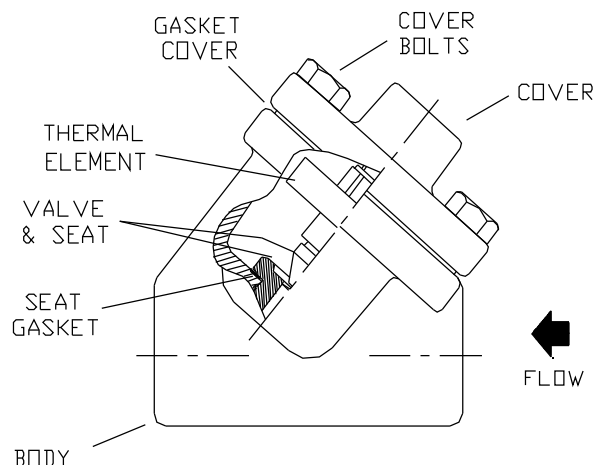
## MAX OPERATING CONDITIONS

PMO	250 PSIG
TMO	406°F
PMA	250 PSIG up to 450°F
TMA	450°F @ 250 PSIG

## TROUBLESHOOTING

PROBLEM	CAUSE	ACTION
1. Trap does not discharge.	a) Isolation valve closed b) Strainer or trap is blocked	a) Open valve. b) Check units and clean.
2. Trap does not close.	a) Dirt lodged on seat area. b) Damaged thermostat.	a) Clean trap (with compressed air) or replace and install strainer if none exists. b) Replace thermostat.

Each Watson McDaniel Company Product is warranted against defects in material and workmanship for one year from date of shipment. This warranty extends to the first retail purchaser only. All defective material must be returned to the person from whom you purchased the Product, transportation prepaid, free of any liens or encumbrances, and if found to be defective will be repaired free of charge or replaced, at the warrantor's or seller's option. If the material is replaced, any replacement will be invoiced in the usual manner and after inspection of alleged defective material an adjustment will be made for depreciation caused by purchaser's use. In no event will Watson McDaniel Company be liable to do more than refund the original contract price. Incidental and consequential damages are excluded, whether under this warranty or otherwise. All implied warranties, including warranties of merchantability and fitness for a particular purpose, are disclaimed and excluded.



WT250R = 5/64" orifice  
WT2501 = 3/16" orifice  
WT2503 = 5/16" orifice

