

LIQUID DRAINERS

WLD1703S

Thermodynamic Drain Trap

Watson McDaniel reserves the right to change the designs and/or materials of its products without notice.
©2002 Watson McDaniel Company

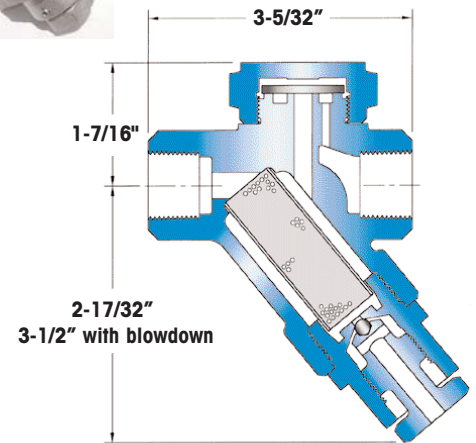
Revised 7/2002

| | |
|--------------------------------|-----------------------------|
| Model | WLD1703S |
| Sizes | 1/2", 3/4" |
| Connections | NPT |
| Body Material | Stainless Steel |
| Options | Blowdown Valve |
| PMO Max. Operating Pressure | 600 PSIG |
| TMO Max. Operating Temperature | 750°F |
| PMA Max. Allowable Pressure | 915 PSIG up to 250°F |
| TMA Max. Allowable Temperature | 610°F @ 750 PSIG |



1703SB
with Strainer &
Blowdown

1703S
with Strainer
1703SB
with Strainer &
Blowdown



TYPICAL APPLICATION

The **WLD1703S** is used on air and gas applications as drip traps on system mains and other piping runs. These drain traps are ideal for outdoor applications where units are subject to freezing.

HOW IT WORKS

The thermodynamic liquid drain trap has a cyclic on/off operation with a disc that is pushed open when condensate is present and pulled closed when the gas tries to escape.

FEATURES

- Rugged, stainless steel body and hardened seat
- Handles a wide range of pressures up to 600 PSI
- Works in any position (horizontal preferable)
- Integral strainer with blowdown option
- Three-holed balanced discharge
- Freeze proof in vertical orientation flow down position

SAMPLE SPECIFICATION

Drain Trap shall be thermodynamic disc type with an all stainless steel construction. Body shall have a built-in strainer with optional blowdown valve. Integral seat design and disc to be hardened for long service life. Unit shall be capable of installation in any orientation and self-draining when mounted vertically with flow down.

INSTALLATION

Drain Trap can be installed in any position, however, horizontal is preferred. Installation should include isolation valves for maintenance purposes.

MAINTENANCE

Dirt is the most common cause of premature failure. The strainer should be periodically cleaned. For full maintenance details see Installation and Maintenance Manual.

OPTIONS

Blowdown valve for easy maintenance.

MATERIALS

| | |
|-----------------|----------------------------|
| Body | Stainless Steel, AISI 420F |
| Disc | Stainless Steel, AISI 420 |
| Cap | Stainless Steel, AISI 416 |
| Strainer Screen | Stainless Steel, AISI 304 |
| Blowdown Valve* | Stainless Steel, AISI 303 |

*WLD1703SB model only.

COLD WATER CAPACITIES – (lbs/hr)

| Model | Size | Differential Pressure (PSI) | | | | | | | | | | | |
|-----------|------------|-----------------------------|-----|-----|-----|-----|-----|-----|-----|-----|-----|-----|-----|
| | | 2 | 5 | 10 | 25 | 50 | 80 | 100 | 125 | 150 | 180 | 200 | 250 |
| WLD1703S | 1/2", 3/4" | 90 | 130 | 190 | 300 | 425 | 530 | 600 | 670 | 715 | 790 | 835 | 955 |
| WLD1703SB | 1/2", 3/4" | 90 | 130 | 190 | 300 | 425 | 530 | 600 | 670 | 715 | 790 | 835 | 955 |

Note: Maximum back pressure not to exceed 80% of inlet pressure.
For gallons per minute divide by 500.