

# SPECIALTY PRODUCTS

## AE1800 Series

### Air Eliminator

Model	AE1800, AE1800R
Sizes	1/2", 3/4"
Connections	NPT
Body Material	Stainless Steel
PMO Max. Operating Pressure	400 PSIG
TMO Max. Operating Temperature	500°F
PMA Max. Allowable Pressure	400 PSIG up to 500°F



AE1800  
(Non-Repairable)



AE1800R  
(Repairable)

### TYPICAL APPLICATION

The AE1800 Series Air Eliminator is used on industrial applications for the removal of air from vessels and piping systems.

### HOW IT WORKS

The AE1800 has a stainless steel valve head that is actuated by a stainless steel float and lever. Without liquid in the unit body the float is in the down position to hold the valve open and allow air to escape under system pressure. When the liquid level rises in the unit to lift the float, the valve head will be driven into the seat before any liquid can escape to the atmosphere.

### FEATURES

- Seal-welded tamper-proof stainless steel body
- All stainless steel internals
- Hardened SST seat (55Rc) for longer service life
- Repairable unit available (AE1800R)

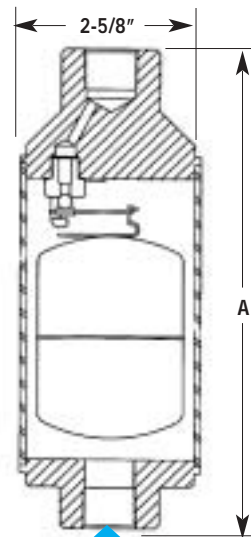
### INSTALLATION

The AE1800 should be located at a high point in the system or vessel. The unit must be installed level and upright with flow upward for the float mechanism to operate. Isolation valves should be installed for maintenance purposes.

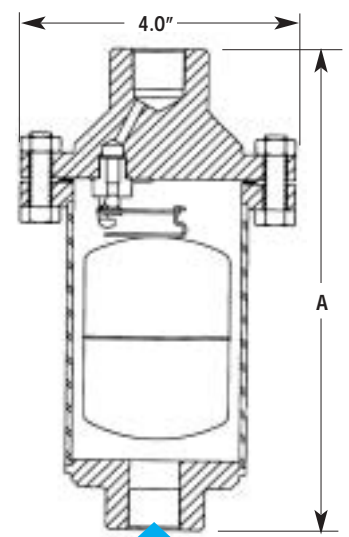
DIMENSIONS – inches / pounds			
Model	Size (Inlet x Outlet)	A	Weight (lbs)
AE1801	3/4" x 1/2"	7	4
AE1801R	3/4" x 1/2"	7-3/8	5
AE1802	3/4" x 3/4"	7	4
AE1802R	3/4" x 3/4"	7-3/8	5
AE1803	1/2" x 1/2"	7	4
AE1803R	1/2" x 1/2"	7-3/8	5

### MATERIALS

Body Shell	Stainless Steel, AISI 304
Inlet, Fitting	Stainless Steel, AISI 304
Outlet, Fitting	Stainless Steel, AISI 304
Float Assembly	Stainless Steel, AISI 304
Valve & Lever Assembly	Hardened Stainless Steel, 55Rc
Seat	Stainless Steel, AISI 420
Washer, Seat	Garlock
Gasket	Garlock
Bolt, Hex, HD	Stainless Steel, AISI 316
Nut	Stainless Steel, 18-8



AE1800  
(Non-Repairable)



AE1800R  
(Repairable)

### AIR CAPACITIES – (scfm)

Model	Orifice	PMO	Pressure (PSIG)																						
			5	7	9	12	15	20	25	30	40	50	60	70	80	90	100	110	120	125	150	200	250	300	400
AE1800	.078	400	1.0	1.1	1.3	1.5	1.7	1.9	2.2	2.5	3.1	3.4	3.7	4.2	5.4	6.0	6.8	7.2	7.5	7.9	9.4	12.5	15.4	18.4	24.4
	.101	300	1.7	1.9	2.1	2.4	2.6	3.1	3.5	4.0	4.8	5.3	5.7	6.6	8.4	9.3	10.2	11.1	12	12.4	14.5	19.1	23.5	28	-
	.125	150	2.5	3.0	3.4	3.9	4.3	5.1	5.8	6.5	8.0	8.7	9.5	10.9	13.9	15.4	16.9	18.4	19.9	20.5	24.4	-	-	-	-