

Model Code	AV813-13-N *
Sizes	3/4"
Connections	NPT
Body Material	Cast Iron
PMO Max. Operating Pressure	150 PSIG
TMO Max. Operating Temperature	300°F
PMA Max. Allowable Pressure	150 PSIG up to 353°F
TMA Max. Allowable Temperature	353°F @ 150 PSIG

* With Viton seat, use Model Code **AV813V-13-N**



Air Eliminators are used for Removing Air from Liquid Systems

Typical Applications

The **AV813** Air Eliminator is used for the removal of air and other gases from vessels or piping systems without allowing the contained liquid to escape.

How It Works

The valve and seat assembly inside the air eliminator is connected to a stainless steel float. When there is no liquid in the body of the air eliminator, the float will be in the down position, allowing air or other gases in the vessel or piping system to escape. When liquid enters the body, it will lift the float and the valve will be closed off before any liquid can escape.

Features

- Rugged cast iron housing
- Simple design for easy maintenance
- Stainless steel internals
- Optional Viton Valve Head for high temperatures and tight shut-off

Sample Specification

Air Eliminator shall be of cast iron construction with stainless steel internals and soft EPDM seat for tight shut-off. Optional Viton seat is available for elevated temperatures and tight shut-off.

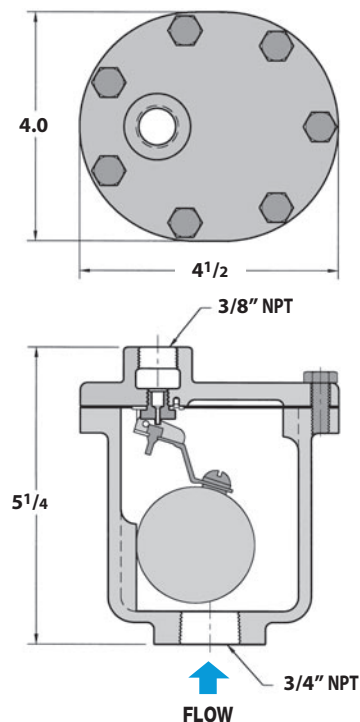
Installation & Maintenance

The AV813 should be located at a high point in the system or vessel. The unit must be installed level and upright with flow upward for the float mechanism to operate properly. Isolation valves should be installed for ease of maintenance.

MATERIALS

Cover	Cast Iron, ASTM A-126, Class B
Body	Cast Iron, ASTM A-126, Class B
Gasket	Grafoil
Seat Yoke	Stainless Steel, Type 304
Valve Seat	Stainless Steel, Type 304
Pivot Pin	Stainless Steel, Type 304
Valve Head	EPDM (Viton optional)
Lever	Stainless Steel, Type 304
Float	Stainless Steel, Type 304
Washer	Stainless Steel, Type 304
Screw & Washer	Stainless Steel, Type 304

DIMENSIONS — inches



CAPACITIES (Air Flow vs. Pressure)

