

### Y-Type Strainers • Carbon Steel / Stainless Steel

Model	<b>CSY, SSY</b>
Sizes	<b>1/2", 3/4", 1", 1 1/2", 2", 3", 4"</b>
Connections	<b>NPT, SW, FLG</b>
Body Material	<b>Carbon Steel (CSY) Stainless Steel (SSY)</b>

#### PRESSURE/TEMPERATURE RATINGS

<b>Carbon Steel</b>	<b>NPT</b>	<b>600 PSIG @ 489°F</b>
<b>Stainless Steel</b>	<b>NPT</b>	<b>600 PSIG @ 489°F</b>

#### Typical Applications

The **CSY/SSY** Y-Strainers are used to strain dirt particles from fluid in pipelines and provide inexpensive protection for costly pumps, meters, valves, traps, turbines and compressors.

#### Features

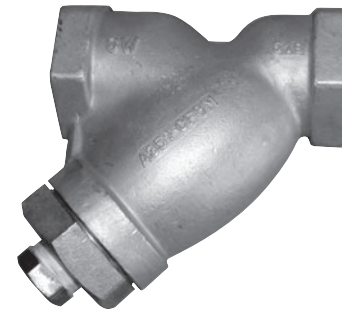
- Machined seat assures perfect fit for screen
- Blowdown connection and easily removable stainless steel cylindrical screens for easy maintenance
- Choice of carbon steel or stainless steel bodies

#### Installation

The strainer should be installed in the flow direction as indicated on the body in either a vertical down or horizontal pipeline. The strainer must be accessible for periodic cleaning.

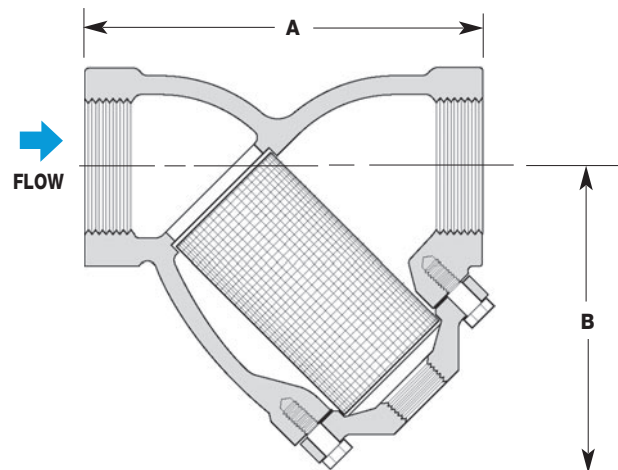
#### HOW TO ORDER

Specify connection size and connection configuration (NPT or SW) that will meet application requirements.



#### MATERIALS

	<b>CSY Carbon Steel</b>	<b>SSY Stainless Steel</b>
Body	Steel, A216 GR WCB	SS, A351 GR CF8M
Plug	Steel, A216 GR WCB	SS, A351 GR CF8M
Cover	Steel, A216 GR WCB	SS, A351 GR CF8M
Screen	Stainless	Stainless
Gasket	SS Spiral Wound	SS Spiral Wound



#### DIMENSIONS & WEIGHTS — inches

Size	Connection	Model Code Carbon Steel	Model Code Stainless Steel	Screen Mesh Size	A	B	Blowdown NPT	Weight lbs
1/2"	NPT	<b>CSY-12-N-020</b>	<b>SSY-12-N-020</b>	20	3	27/16	1/4	1.5
	SW	<b>CSY-12-SW-020</b>	<b>SSY-12-SW-020</b>					
3/4"	NPT	<b>CSY-13-N-020</b>	<b>SSY-13-N-020</b>	20	3 3/4	2 15/16	3/8	2.5
	SW	<b>CSY-13-SW-020</b>	<b>SSY-13-SW-020</b>					
1"	NPT	<b>CSY-14-N-020</b>	<b>SSY-14-N-020</b>	20	4 5/8	3 3/4	3/8	5
	SW	<b>CSY-14-SW-020</b>	<b>SSY-14-SW-020</b>					
1 1/2"	NPT	<b>CSY-16-N-020</b>	<b>SSY-16-N-020</b>	20	5 5/8	4 13/16	3/4	9
	SW	<b>CSY-16-SW-020</b>	<b>SSY-16-SW-020</b>					
2"	NPT	<b>CSY-17-N-020</b>	<b>SSY-17-N-020</b>	20	7	6 1/8	1	13
	SW	<b>CSY-17-SW-020</b>	<b>SSY-17-SW-020</b>					
3"	150# FLG	<b>CSY-19-F150-033</b>	—	0.033 Perf.	10	7	1	35
4"	150# FLG	<b>CSY-20-F150-033</b>	—	0.033 Perf.	12 1/8	8 1/4	1 1/2	55

For special mesh screens; Consult factory.  
CS not recommended for prolonged use above 800°F.  
SS not recommended for prolonged use above 1000°F.