

Carbon Steel

Model	VCC
Sizes	6", 8", 12", 16"
Connections	150# RF
Body Material	Carbon Steel
PMO Max. Operating Pressure	150 PSIG
TMO Max. Operating Temperature	366°F
PMA Max. Allowable Pressure	150 PSIG @ 562°F

300 PSIG unit available.
Flash Tanks Supplied with ASME Section VIII Code Stamp.

Typical Applications

The VCC Series Vertical Condensate Coolers are used to reduce condensate temperature to acceptable limits when the condensate is being discharged to drain. Cooling water, connected to the inlet of the temperature regulating valve, is used to maintain the desired condensate outlet temperature. All units are vented to atmosphere to ensure that any flash steam is properly relieved. A steam trap is included on the drain to eliminate the possibility of steam discharge.

How to Size / Order

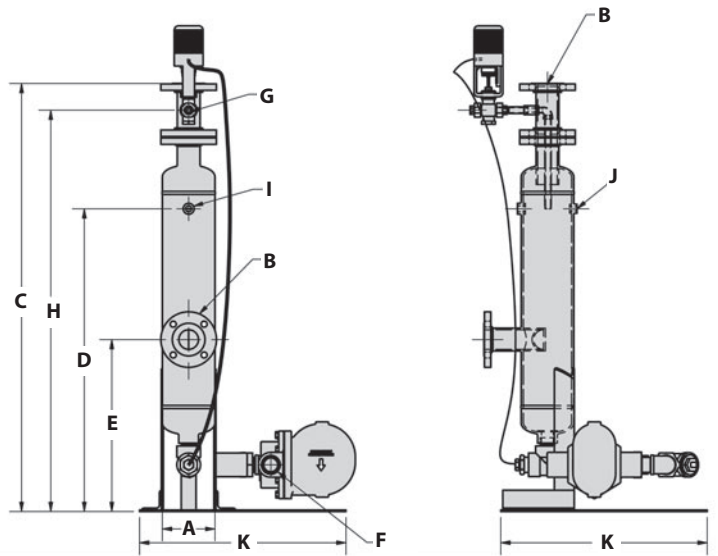
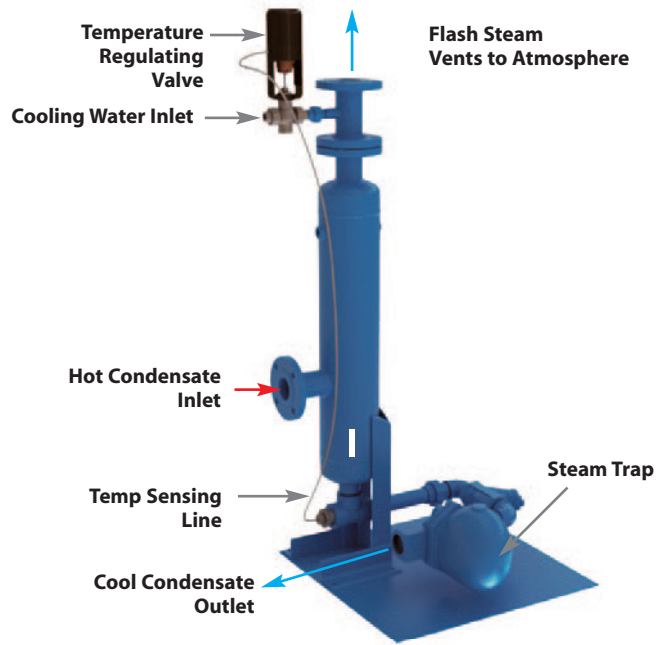
Use the Capacity Table to determine the proper tank diameter based on the incoming Condensate Load in lbs/hr. See note regarding base conditions for Condensate and Cooling Water temperatures. Consult factory for sizing with alternate conditions.

Example: Condensate Load **8,000 lbs/hr**
 Condensate Temperature:
 Incoming: **210°F**
 Leaving: **140°F**
 Cooling Water Temperature: **60°F**

Based on 8000 lbs/hr at standard conditions

Therefore Choose: **16" Condensate Cooler**
Model Code:
VCC-16-22-F150

Specify Model Code only; steam trap & valve included



VCC DIMENSIONS (inches)											
Tank Diameter	A	B	C	D	E	F	G	H	I	J	K
6"	6 ⁵ / ₈	2 ¹ / ₂	53 ¹⁵ / ₁₆	38 ³ / ₁₆	28 ⁷ / ₁₆	1 ¹ / ₂	1	50 ⁹ / ₁₆	3/ ₄	1/ ₂	26
8"	8 ⁵ / ₈	4	54 ¹⁵ / ₁₆	38 ⁷ / ₁₆	29 ³ / ₁₆	2	1	52 ⁹ / ₁₆	3/ ₄	1/ ₂	26
12"	12 ³ / ₄	5	56 ¹ / ₂	38 ¹ / ₄	23 ³ / ₄	2 ¹ / ₂	1	53 ³ / ₁₆	1 ¹ / ₂	1/ ₂	36
16"	16	6	66 ¹³ / ₁₆	45 ¹¹ / ₁₆	34 ¹³ / ₁₆	2 ¹ / ₂	1	62 ⁷ / ₁₆	2	3/ ₄	36

DIMENSIONS & WEIGHTS								
Tank Diameter in.	Model Code	Condensate lbs/hr	Total Load (Condensate & Cooling Water)	Total GPM at outlet	Cooling Valve Size	Valve Part Number	Trap Size	Trap Part Number
6	VCC-6-18-F150	1,100	2,063	4	1	W91-05-08S15-CSS14U	1 1/2	FTT-065-16-N
8	VCC-8-20-F150	2,100	4,000	8	1	W91-05-08S15-CSS14U	2	FTT-065-17-N
12	VCC-12-21-F150	4,800	9,000	18	1	W91-05-08S15-CSS14U	2 1/2	FTE-050-18-N
16	VCC-16-22-F150	10,500	19,700	39	1	W91-05-08S15-CSS14U	2 1/2	FTE-050-18-N

Sizing based on 20 sec mix time using 60°F water to cool condensate from 210°F to 140°F.