

Pump & Trap Combination

Internal Steam Trap

PMPT

PUMPING TRAPS

Model	PMPT	PMPTS
Body	Ductile Iron	Stainless Steel
Cover	Stainless Steel	Stainless Steel
Sizes	1", 1 1/2" NPT	1 1/2" FLG
Check Valves	Stainless Steel	Stainless Steel
PMO Max. Operating Pressure	125 PSIG	125 PSIG
TMO Max. Operating Temperature	366°F	366°F
PMA Max. Allowable Pressure	150 PSIG @ 450°F	150 PSIG @ 450°F



Typical Applications

The **PMPT** low-profile pressure motive pump & trap combination has an internal steam trap for draining heat exchangers and other equipment whose steam pressure is modulated by a temperature regulator or a temperature control valve. In these applications the steam pressure in the heat exchanger may not be sufficient to overcome the back pressure in the condensate return line. When this condition occurs, the pressure powered pump takes over and uses high pressure steam supplied to the pump to discharge the condensate. When sufficient pressure does exist, the PMPT functions like a standard steam trap. Its small compact design is perfect for applications with limited space.

Pump-Traps facilitate condensate discharge under all operating conditions, including vacuum.

Features

- Low-profile design allows for condensate drainage of equipment positioned close to the floor
- Equipped with our proven, **Patented "Snap-Assure"** mechanism which extends the useful life of the pump
- Internal mechanism can be removed from the top of the pump while pump remains piped in line
- Mechanism incorporates heat-treated stainless steel wear items
- Dual compression springs made from Inconel-X-750 for high-temperature, corrosive service

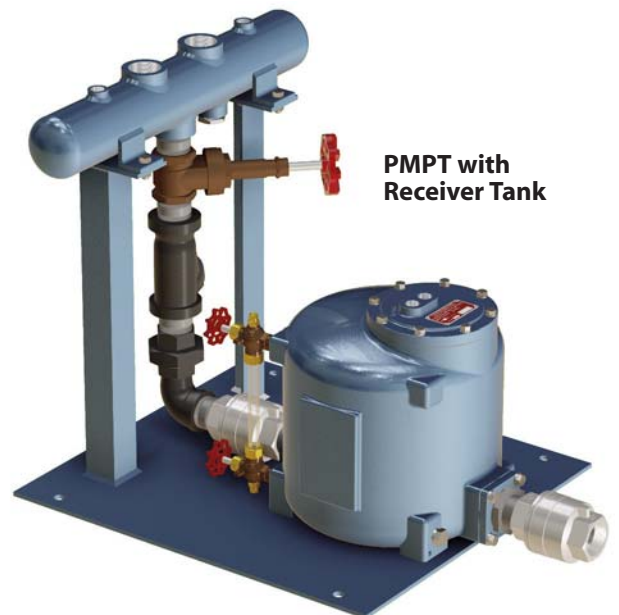
NOTE: Reservoir - Pump-Trap Combination may require a reservoir above the pump to collect condensate generated in the heat exchanger during the discharge cycle of the pump. Consult Reservoir Sizing Guidelines or contact factory for additional information.

Options

- Horizontal pipe reservoir (recommended)
- Motive and vent piping
- Motive piping components such as steam trap, strainer and regulator
- Packaged systems available with reservoir, base and skid
- Gauge Glass
- Insulation Jacket
- ASME Code Stamp

Steam Trap internal to pump body

will function like a normal float trap discharging condensate as its formed. If condensate backs up, the pumping mechanism will use motive steam pressure to discharge the condensate.

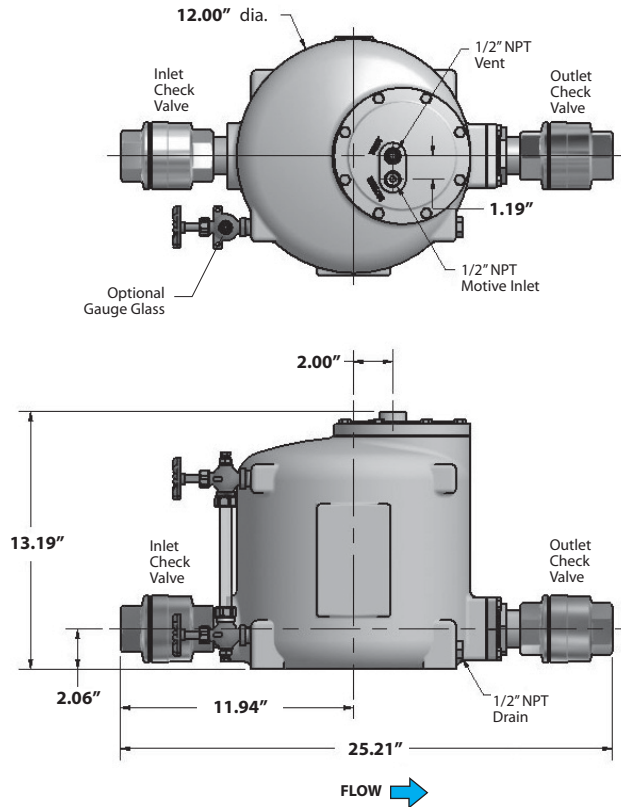


Pump & Trap Combination

Internal Steam Trap

PMPT

PUMPING TRAPS



MATERIALS

Body PMPT	Ductile Iron SA-395
Body PMPTS	Stainless Steel CF3M
Cover	Stainless Steel CF8
Cover Gasket	Garlock
Cover Bolts	Steel
Inlet Valve	Hardened Stainless Steel 40 Rc
Vent Valve	Hardened Stainless Steel 40 Rc
Ball Float	300 Stainless Steel
Check Valves	Stainless Steel 316SS CF3
Springs	Inconel-X-750
Other Internal Components	Stainless Steel

Size	Model Code	PMO PSI	Weight lbs
Ductile Iron Pump Body (NPT)			
1" x 1"	PMPT-1X1-N-SS	125	85
1 1/2" x 1 1/2"	PMPT-1.5X1.5-N-SS	125	95
Stainless Steel Pump Body (NPT or 150# FLG)			
1 1/2" x 1 1/2"	PMPTS-1.5X1.5-N-SS	125	95
1 1/2" x 1 1/2"	PMPTS-1.5X1.5-F150-SS	125	98

The PMPT Pump-Trap consists of pump tank, internal mechanism & trap, and inlet & outlet stainless steel check valves.

U.S. Patent No. 8,858,190 BZ

