

Steam Traps

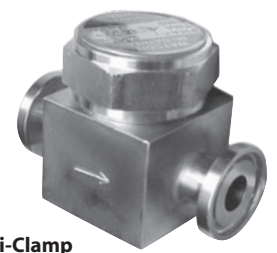
Clean Steam Thermodynamic Steam Trap

FDA800
Thermodynamic Clean Steam

Model	FDA800
Sizes	1/2"
Connections	Tri-Clamp, NPT, Tube Weld
Body Material	Stainless Steel
PMO Max. Operating Pressure	150 PSIG
TMO Max. Operating Temperature	500°F
PMA Max. Allowable Pressure	230 PSIG @ 850°F
TMA Max. Allowable Temperature	850°F @ 230 PSIG



NPT



Tri-Clamp

Typical Applications

DRIP: The **FDA800 Series** thermodynamic clean steam traps are used as drip traps on steam mains in CIP/SIP systems and drainage for separators and filters.

How It Works

Using the thermodynamic properties of flash steam, this trap features a disc that is pushed open by incoming condensate, then closes tightly when steam enters the trap. Because it normally operates in an open position, condensate is continuously discharged from the line. Steam entering the trap creates an internal pressure that forces the valve to close tightly, preventing the steam from escaping.

Features

- Small and compact
- All 316L stainless steel components
- Works in any position (horizontal preferred)

Sample Specification

The steam trap shall be a thermodynamic disc type with an all 316L stainless steel construction and integral seat design. Unit shall be capable of installation in any orientation and self-draining when mounted vertically.

Installation and Maintenance

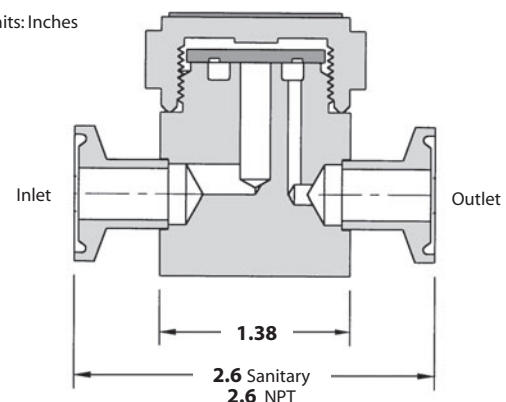
Can be installed in any position; however, horizontal is preferred. For self-draining requirements, the trap should be installed vertically. Installation should include a strainer before the trap inlet since dirt is a common cause of premature failure.

MATERIALS

Body	Stainless Steel, AISI 316L
Disc	Stainless Steel, AISI 316L
Cap	Stainless Steel, AISI 316L

Size/Connection Inlet x Outlet	Model Code	PMO PSI	Weight lbs
1/2" TC x TC	FDA800-12-TCTC	150	1.5
1/2" TW x TW	FDA800-12-TWTW	150	1.5
1/2" NPT x NPT	FDA800-12-NPNP	150	1.5

Units: Inches



CAPACITIES — Condensate (lbs/hr)

Size	Differential Pressure (PSI)											
	3.5	5	10	15	20	25	30	40	50	75	100	150
1/2"	180	185	190	195	200	215	220	230	250	310	375	500

Note: Maximum back pressure not to exceed 80% of inlet pressure.