

Steam Traps

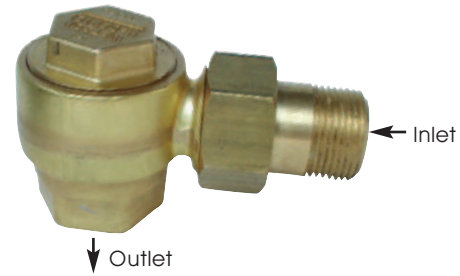
Thermostatic Steam Trap

(Repairable)

TA25B, TA125, TAHC125 TS25B, TS125

| | |
|--------------------------------|---|
| Model | TA25B, TA125, TAHC125 TS25B, TS125 |
| Sizes | 1/2", 3/4" |
| Connections | NPT |
| Body Material | Brass |
| PMO Max. Operating Pressure | TA25B, TS25B 25 PSIG TA125, TAHC125 125 PSIG TS125 |
| TMO Max. Operating Temperature | Saturated Steam Temperature |
| PMA Max. Allowable Pressure | 125 PSIG up to 450°F |

TA Type • Right-Angle Connection



TS Type • Straight-thru Connection



Typical Applications

TA & TS type steam traps are predominantly used in the HVAC industry. They are referred to as radiator traps because the quick-disconnect right angle connection of the TA Type is found on most steam radiator installations. The TS Type offers a straight-through connection alternative. TA and TS Series radiator traps were designed specifically for removing condensate and air from 2-pipe steam heating systems. Their excellent air-handling capabilities, compact size, and economical cost make them a great choice for air vents on heat exchangers or for steam trap applications on OEM equipment. Contains an extremely strong and rugged precision-welded Stainless Steel thermal element which is highly resistant to waterhammer.

How It Works

This thermostatic trap contains a welded stainless steel thermal element that expands when heated and contracts when cooled. When air and condensate are present the trap is in the open discharge position. When steam reaches the trap the element expands and closes off tightly.

Features

- Excellent air handling capability
- In-line repairable
- Welded stainless steel thermal element
- Stainless seat on TA125, TAHC125 & TS125
- High thermal efficiency
- TAHC125 is a high-capacity version

Sample Specification

The steam trap shall be of thermostatic type with brass or bronze body and stainless steel thermal element. Trap must be in-line repairable.

Installation and Maintenance

Trap can be installed in any orientation. The bodies are made from a high-quality brass forging and are easily repairable while the steam trap remains in-line by removing the cap and replacing the seat and thermal element. Repair kit includes thermal element, seat and gasket.

Steam Traps

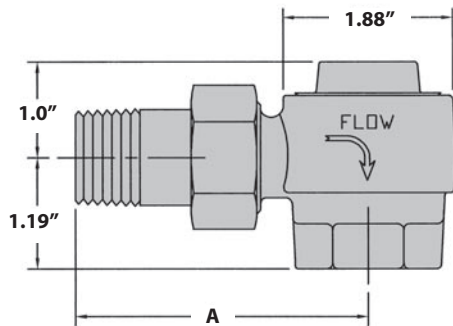
Thermostatic Steam Trap

(Repairable)

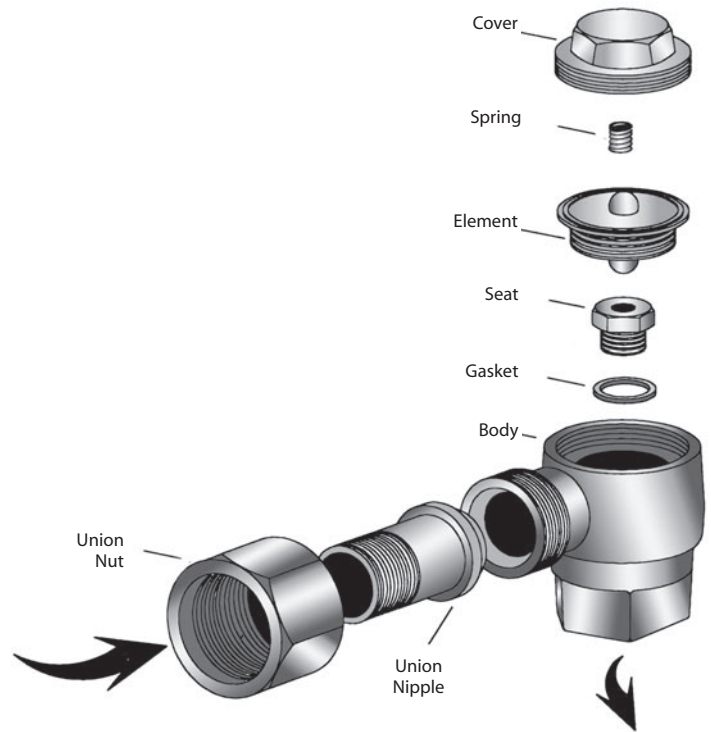
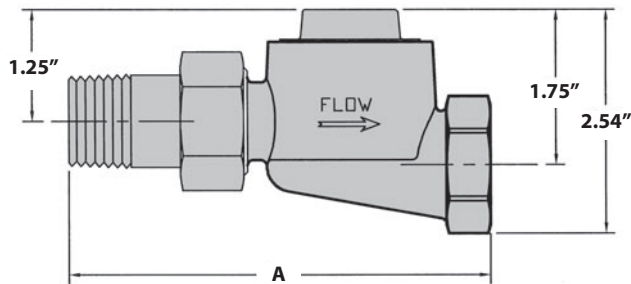
TA25B, TA125, TAHC125
TS25B, TS125

STEAM TRAPS

TA Type • Right-Angle Connection



TS Type • Straight-thru Connection



DIMENSIONS & WEIGHTS — inches

| Model | Pipe Size | A | Weight (lbs) |
|-----------------------|-----------|-------|--------------|
| TA25B, TA125, TAHC125 | 1/2" | 2.812 | 1.5 |
| TA25B, TA125 | 3/4" | 3.000 | 1.5 |
| TS25B, TS125 | 1/2" | 4.500 | 1.5 |
| TS25B, TS125 | 3/4" | 4.625 | 1.5 |

Note: Other Union Connections and Lengths are available; consult factory.

How to Size / Order

Select differential pressure; follow column down to correct capacity (lbs/hr) block. Example:

Application: 2100 lbs/hr at 40 PSI differential pressure

Size/Model: 3/4" **TA125**

CAPACITIES — Condensate (lbs/hr)

| Size | Model Code | PMO (PSIG) | Steam Inlet Pressure (PSIG) | | | | |
|--------------|------------|------------|-----------------------------|------|------|------|------|
| | | | 15 | 25 | 40 | 65 | 125 |
| 1/2" | TA25B-12-N | 25 | 825 | 1070 | | | |
| | TS25B-12-N | | | | | | |
| | TA125-12-N | 125 | 825 | 1070 | 1323 | 1610 | 1950 |
| | TS125-12-N | | | | | | |
| TAHC125-12-N | 125 | 860 | 1220 | 1725 | 725 | 3575 | |
| TAHC125-12-N | | | | | | | |
| 3/4" | TA25B-13-N | 25 | 1290 | 1700 | | | |
| | TS25B-13-N | | | | | | |
| | TA125-13-N | 125 | 1290 | 1700 | 2100 | 2575 | 3300 |
| | TS125-13-N | | | | | | |

MATERIALS

| | |
|--------------|--|
| Body | Forged Brass, CA 377 |
| Element | Welded Stainless Steel, AISI 302 |
| Cover | Forged Brass, CA 377 |
| Spring | Stainless Steel, AISI 304 |
| Seat | TA25B/TS25B: Brass ASTM B-21 TA125/TAHC125/TS125: Stainless Steel, AISI 303 |
| Gasket | Brass, ASTM B-21 |
| Union Nipple | Brass, ASTM B-16 |
| Union Nut | Brass, ASTM B-16 |