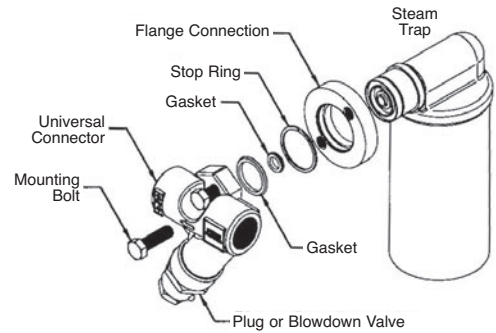
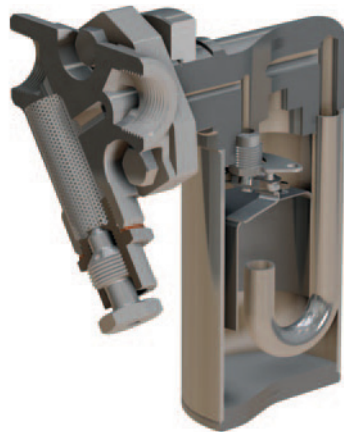


USIB450

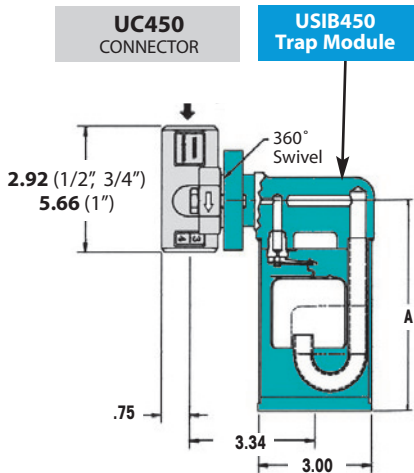
Universal Style Quick-Change Trap Module

Inverted Bucket Steam Trap Module (mounts to UC450 Universal Connectors)



Horizontal Piping (Connector with Strainer)	Vertical Piping (Connector with Strainer)	Vertical or Horizontal Piping (No Strainer)
<p>Steam Flow to the Right (Standard)</p> <p>Trap shown with UC450SR Connector (Use L Style if a Piping Constraint exists)</p>	<p>Steam Flow Downward</p> <p>Trap shown with UC450SR Connector</p>	<p>Steam Flow Any Direction</p> <p>Trap shown with UC450 Connector</p>

Connectors available in 1/2", 3/4" and 1" sizes in NPT or Socket-Weld Connections



USIB450 A-Dimension = 6.12"
USIB450H A-Dimension = 7.12"

