

UTD450

Universal Style Quick-Change Trap Module

Thermodynamic Steam Trap Module (mounts to UC450 Universal Connectors)

Model (Top Mount Style)	UTD450 UTD450L
Connections	Fits UC450 Series Universal Connectors
Body Material	Stainless Steel
PMO Max. Operating Pressure	450 PSIG
TMO Max. Operating Temperature	750°F
PMA Max. Allowable Pressure	720 PSIG @ 100°F
TMA Max. Allowable Temperature	800°F @ 400 PSIG



UTD450
Thermodynamic Steam Trap Module
(Top Mount Style)
Recommended for horizontal piping installations only so that cap can be oriented upwards as shown.

Steam trap modules can be used with other manufacturers' Universal Connectors.

Typical Applications

DRIP, TRACER: Designed to work as a drip trap for the draining of condensate from steam mains and other steam supply lines, the **UTD450** Thermodynamic Steam Trap Module can be used anywhere conventional thermodynamic steam traps are used. Can also be used on tracing applications. This model is only recommended for horizontal piping installations to allow the cap to be oriented upwards. The UTD450 mounts to any 2-bolt Quick-Change Universal Connector.

The UTD450 is recommended for horizontal piping only so that cap can be oriented upwards, as shown.

How It Works

The UC450 universal connector is permanently installed into the pipeline where the steam trap would normally be placed. The trap module, which functions like any thermodynamic steam trap, is fastened to the universal connector with two bolts. When a new trap module is needed, it can be easily removed and replaced with a standard open-end or socket wrench without disturbing the existing piping.

Features

- Trap module can be easily removed and replaced in minutes without having to disconnect any piping
- Trap modules can be used with most manufacturers' 2-bolt universal connector
- All stainless steel construction with hardened seat

Sample Specification

The steam trap module shall be designed to attach to the industry standard two-bolt universal connector. Trap module shall be of a thermodynamic design. Universal connector shall conform to the two bolt industry standard with integral strainer and blowdown options.

Installation and Maintenance

The UTD450 Trap module was intended for horizontal piping installations so the trap can be installed with cap facing upwards. Trap module is attached to the connector using two bolts. If the trap fails for any reason, replace only the trap module. When a new trap module is needed, it can be easily removed and replaced with a standard open-end or socket wrench without disturbing the existing piping.

Options

Universal Connectors are available with an integral strainer and blowdown valve. Connector is purchased separately. See the Universal Connectors section for more information.

Helpful Selection Information

Connector selection to use with the UTD450: UC450 (no strainer), UC450S (strainer), UC450SB (strainer and blowdown). Select this model for steam systems with maximum working pressure of 450 PSIG.

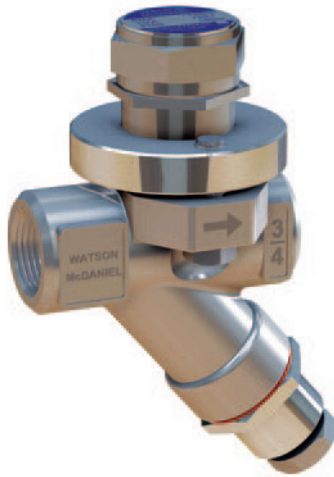
MATERIALS	
Body	Stainless Steel, AISI 420
Disc	Stainless Steel, AISI 420
Cap	Stainless Steel, AISI 416
Insulation Cover	Stainless Steel, AISI 304
Bolts	Steel, ASTM A193 GR B7
Gaskets (2)	Spiral Wound 304 Stainless Steel with Grafoil Filler

CAPACITIES — Condensate (lbs/hr)																	
Model	Differential Pressure (PSI)																
	4	10	15	20	25	30	40	50	75	100	150	200	250	300	350	400	450
UTD450L	140	215	242	270	295	320	355	390	455	510	600	670	730	790	840	880	925
UTD450	247	370	420	475	520	560	625	685	800	900	1060	1185	1300	1400	1485	1560	1630

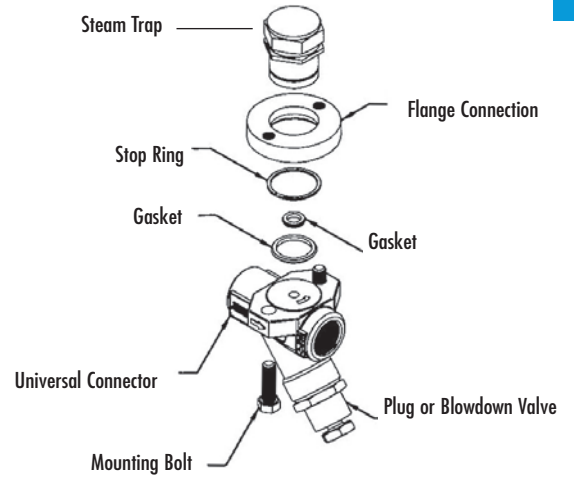
UTD450

Universal Style Quick-Change Trap Module

Thermodynamic Steam Trap Module (mounts to UC450 Universal Connectors)

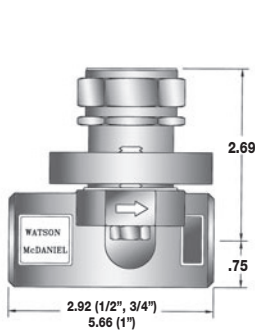


UTD450 Trap Module should be oriented with cap facing Upwards. Therefore it should only be used with Horizontal Piping, as shown.

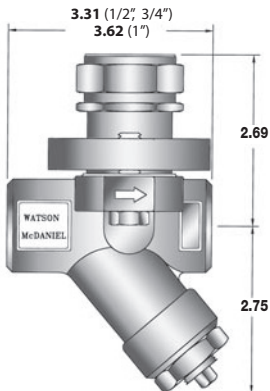


Horizontal Piping (Connector with Strainer)	Horizontal Piping (No Strainer)
<p>Steam Flow to the Right / Steam Flow to the Left UC450SBR & UC450SB Connector (with Blowdown Valve) shown below</p> <p>Trap shown with UC450SBR Connector Strainer & Blowdown Valve is directed to the side</p> <p>Trap shown with UC450SB Connector Strainer & Blowdown Valve is directed downwards</p>	<p>Steam Flow Horizontally UC450 Connector shown below</p> <p>Trap shown with UC450 Connector</p>

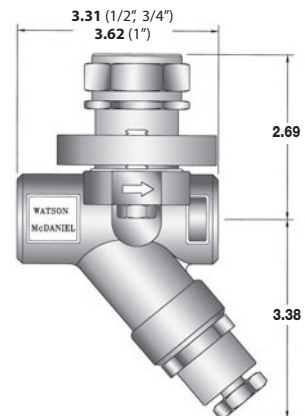
Connectors available in 1/2", 3/4" and 1" sizes in NPT and Socket-Weld Connections



UTD450 Trap Module with UC450 Connector



UTD450 Trap Module with UC450S Connector (Strainer)



UTD450 Trap Module with UC450SB Connector (Strainer & Blowdown)